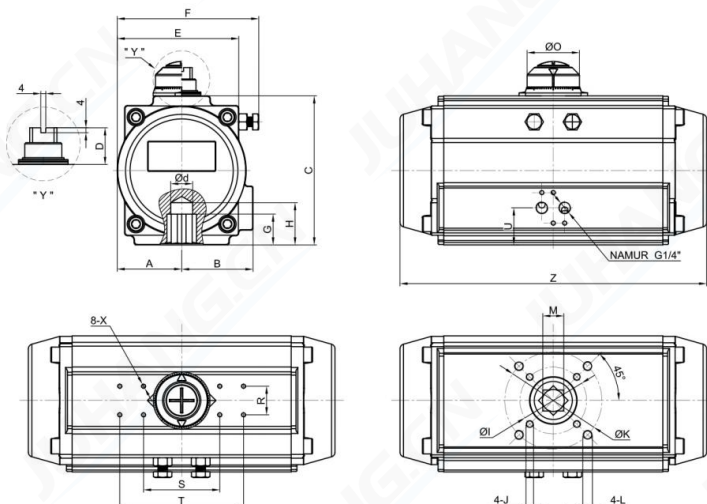


JHA0255SR 90° DATASHEET



Reference Parameters			
Cylinder size	125		mm
Weight	10.4		kg
Air volume	Open	1.47	L
	Close	-	
Cycle speed*①	Open	<1	s
	Close	<1	
Pressure rang	2 up to 8		bar(g)
Media	Clean,dry and non-corrosive compressed air		
Temperature	High	-15 up to 150	°C
	Standard	-20 up to 80	
	Low	-40 up to 80	
Flange	F07&F10		
Stroke	90±5		°

> According to EN 15714-3 & ISO 5211

>\*①. Test conditions: clean air with a pressure of 6 bar,the diameter of the pipe is 8 mm,and the temperature is room temperature.

Dimensions in mm

Model	A	B	C	D	E	F	G	H	φI	J	φK	L	M	R	S	T	O	U	φd	Z	X	Air connection
JHA0255SR	68	75	157	30	128	149	31	43	70	M8*13	102	M10*16	22	30	80	130	55	39	23	322	M5*8	G1/4

OUTPUT TORQUE (Unit:N.m)

Model	Air Supply Pressure in bar(g)																				
	Spring Type	2.5		3		4		4.5		5		5.5		6		7		8		Spring output	
		0°	90°	0°	90°	0°	90°	0°	90°	0°	90°	0°	90°	0°	90°	0°	90°	0°	90°	Start	End
JHA0255SR	K6	63	30	88	55	138	106	163	131	188	156									95	63
	K8			67	24	117	74	142	99	167	124	192	149	218	174	268	225			127	84
	K10					96	42	121	67	146	92	171	117	197	143	247	193	297	243	159	105
	K12									125	60	150	86	176	111	226	161	276	211	191	126

OUTPUT TORQUE (Unit:lbf.in)

Model	Air Supply Pressure in psi																				
	Spring Type	36		44		58		65		73		80		87		102		116		Spring output	
		0°	90°	0°	90°	0°	90°	0°	90°	0°	90°	0°	90°	0°	90°	0°	90°	0°	90°	Start	End
JHA0255SR	K6	558	266	779	487	1221	938	1443	1159	1664	1381									841	558
	K8			593	212	1036	655	1257	876	1478	1097	1699	1319	1929	1540	2372	1991			1124	743
	K10					850	372	1071	593	1292	814	1513	1036	1744	1266	2186	1708	2629	2151	1407	929
	K12									1106	531	1328	761	1558	982	2000	1425	2443	1867	1690	1115

Notes:

> 1 bar(g) = 14.5038 psi ; 1 N.m = 8.8507 lbf.in

> For further information regarding options , materials , certifications and additional execution please contact JUHANG's sales office.

> Flange and bi-square drive shall comply with ISO 5211 standard.

> Solenoid valve mounting interface according to VDI/VDE 3845(NAMUR)

